

Waveon Mini 606

Mobile Data Acquisition



* Actual product may vary from image

Waveon Mini 606. A simple plug and play, track and trace device for your most valued mobile assets. A hassle free installation is

Waveon Mini 606 now comes with the capability to make authenticated configurations Over-the-Air (OTA) via GPRS and SMS. Therefore vehicles mounted with Waveon 606 need not return to the service centre for configurations. Mobile Assets down-time is totally eliminated resulting in maximum returns.

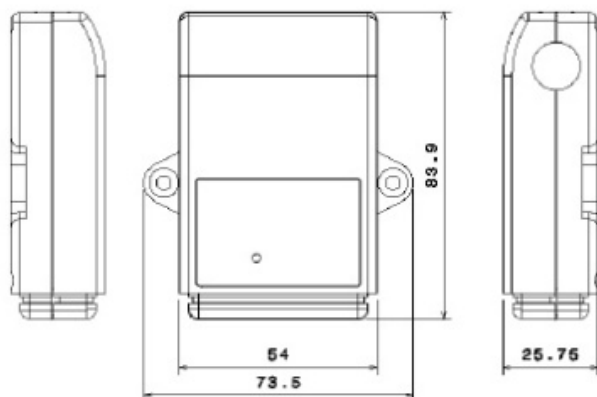
Field Applications

Found! before it is lost.... The next time before thieves were to steal your mobile assets, they would have to reconsider because the Waveon MINI 606 being installed in your mobile assets, financial institution such as the insurance companies would have a peace of mind off the vehicles they have insured in your company's fleet against fire and thief. Thus financial institution would then minimize their risk percentile and exposure. Hence fleet owners would result in enjoying a lower premium for their vehicular coverage.

Features

- Functions a standard GPRS modem
- SMS failover from GPRS and Vice-versa
- Data Logging Capability up to 1,000 data points
- Reporting Interval on either Time or Distance
- Alert sending for indication for Tampering, Lost of Power and exceeding Speed Limits
- Up to 2 programmable call numbers
- Unique small factor 88mm x 74mm x 26mm
- Firmware configuration Over-the-Air (OTA)*

Dimension (mm)



Specifications

GPS Receiver* Performance

- 16 Channels
- Accuracy of 10m (CEP)
- Start Time (sec)
 - Cold: 45 / Warm: 28 / Hot: 8

GPRS Receiver* Performance

- Tri Band 900 / 1800 / 1900 MHz (Class B)
- Class 10 GPRS module
- Modes: GPRS, SMS, Voice
- SIM Card: 3 VDC

Communication and Interface Ports

- 1 x 14 pin Communication Connections
 - 1 x RS 232 Ports
 - 2 x Digital Input Ports
 - 1 x Digital Output Ports

Physical Dimensions

- Dimension: 88mm x 74mm x 26mm
- Casing : v30% glass fill PA66
- Weight : 100 grams

Power

- Power Input: 12V
- Current Consumption: Nominal
500mA @ 3.7 v Max 1A
- Backup Battery Box

Indicators

- 1 x Red LED indicator of GPRS operation Status

Environmental Data

- Operation Temperature: -20 Deg to 55 Deg
- Storage Temperature: -40 Deg to 85 Deg

Ordering Information

98-606-102-010	606(m) GPRS Modem only
98-606-101-010	606(e) External Antenna
98-606-100-010	606(i) Internal Antenna

Parts of this product are patent protected.

The specification in this document are subjected to change at InfoWave Pte Ltd discretion. InfoWave Pte Ltd assumes no responsibilities for any claims or damages arising out of the use of this document, or from the use of modules base including but not limited

based on infringement of patents, copyrights or other intellectual property rights. InfoWave makes no warranties, either expressed or implied with respect to the